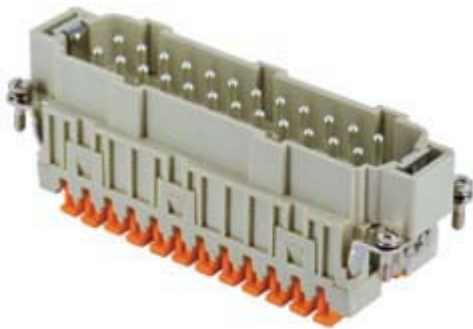


Part number

CSHM 24 N



Brief description:

male insert, 24 poles + PE, No. 25 - 48, Spring connection contacts SQUICH, 16A, 500V, 6kV, 3, silver plated, size "104.62", CLASS insert series

Product description	
Model	male insert
Version	SQUICH® Spring connection contacts
Series	CSH
Product type	with male contacts
Family	CLASS inserts
Size	size "104.62"
N. of poles	48 poles + \oplus (2 inserts)
Technical data	
Current	16 A (A.C. and D.C.)
Voltage	500 V
Rated impulse withstand voltage	6kV
Pollution degree	3
Wire cross-section	0,14 mm ² - 2,50 mm ²
AWG size	26 - 14
Operating temperature range (min, max)	-40°C ... +125°C
Contact type	silver plated
Mating cycles	≥ 500
IP degree of protection	IP20 without enclosure, IP65/IP66 with enclosure
Further technical details	
Characteristics according to EN 61984	16A 500V 6kV 3; 16A 400/690V 6kV 2
Insulation resistance	≥ 10 GΩ
Rated voltage according to UL/CSA	600V
UL 94 flammability rating	V-0
Weight	132,00 g

Approvals / Standards	
Reference standard	EN 61984 (2001-11)
Quality mark	EAC
Conformity	CQC, CE
General ordering information	
EAN13 code	8015747170826
Tariff number	85369095
Country of origin	Made in EU (IT)
ETIM classification	EC000438
Packaging Information	
Packaging length	245,00 mm
Packaging height	165,00 mm
Packaging width	215,00 mm
Packaging weight	3,95 kg
Packaging volume	8,69 dm ³
Packaging description	Carton box
Packaging quantity	30 Pcs
Packaging EAN code	8015747170888
Sub-packaging length	197,00 mm
Sub-packaging height	44,00 mm
Sub-packaging width	113,00 mm
Sub-packaging weight	0,66 kg
Sub-packaging volume	0,98 dm ³
Sub-packaging description	Carton
Sub-packaging quantity	5 Pcs
Sub-packaging EAN barcode	8015747170895

Part number

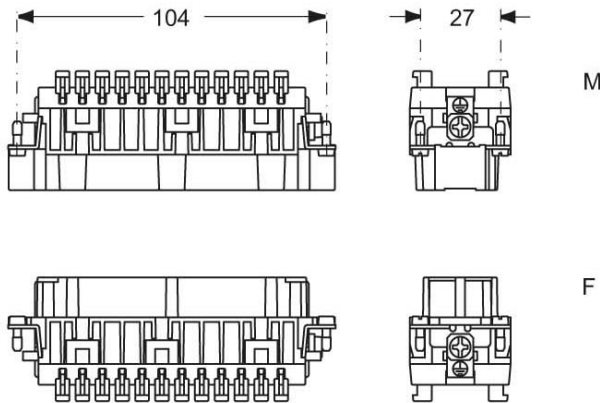
CSHM 24 N



Catalogue drawings

Catalogue drawings

dimensions in mm



contacts side (front view)

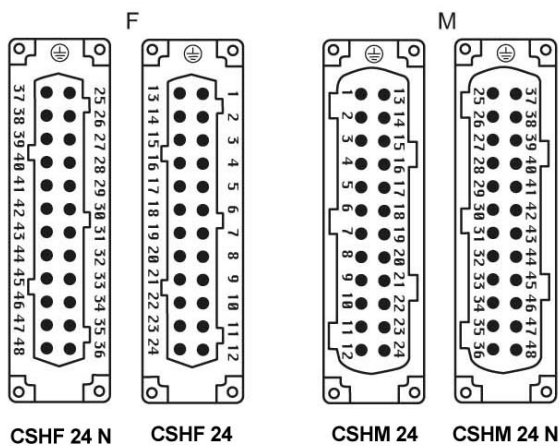
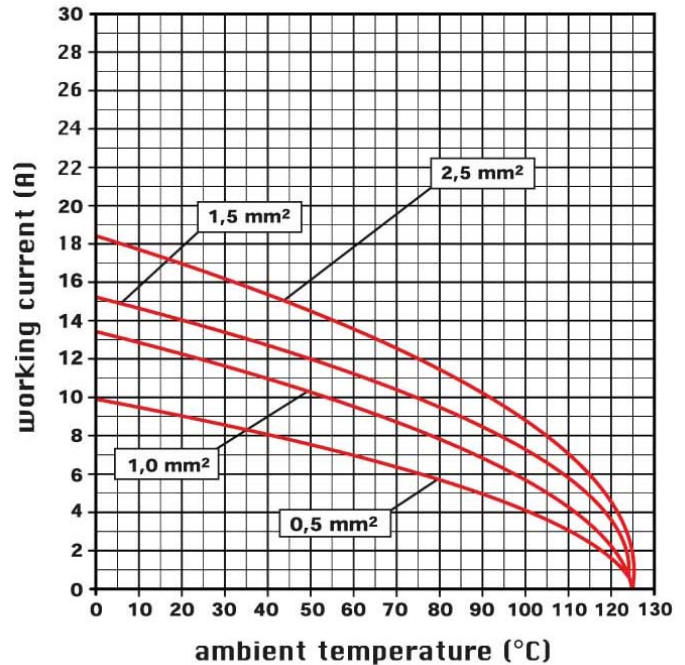


diagram CSH 48 poles



Notes

CSHF/M 06

- Eigenschaften gemäß EN 61984:

16A 500V 6kV 3

16A 400/690V 6kV 2

- Nennspannung gemäß UL/CSA: 600V

- Isolationswiderstand: > 10 GOhm

- Grenzwerte Umgebungstemperatur: -40 °C ... +125 °C

- Die Kontakteinsätze werden aus selbstverlöschendem Thermoplastharz UL94 V0 hergestellt

- Mechanische Lebensdauer: > 500 Zyklen

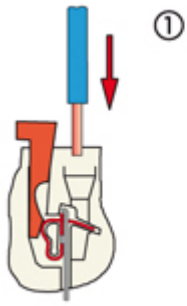
- Kontaktwiderstand: < 3 mOhm

- passende Gehäuse: Größe "77.27":

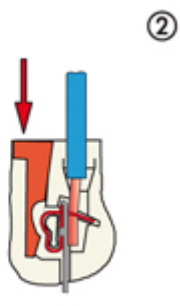
C7 IP67 Bügel aus Edelstahl

W-Type für aggressive Umgebung

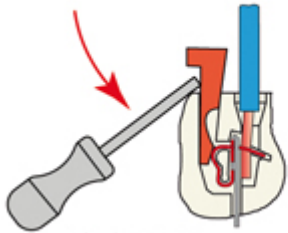
actuator button connections



①



②



3x0,5 mm

Reopening
